

### CAP SCREW SETS (10pcs./sets)

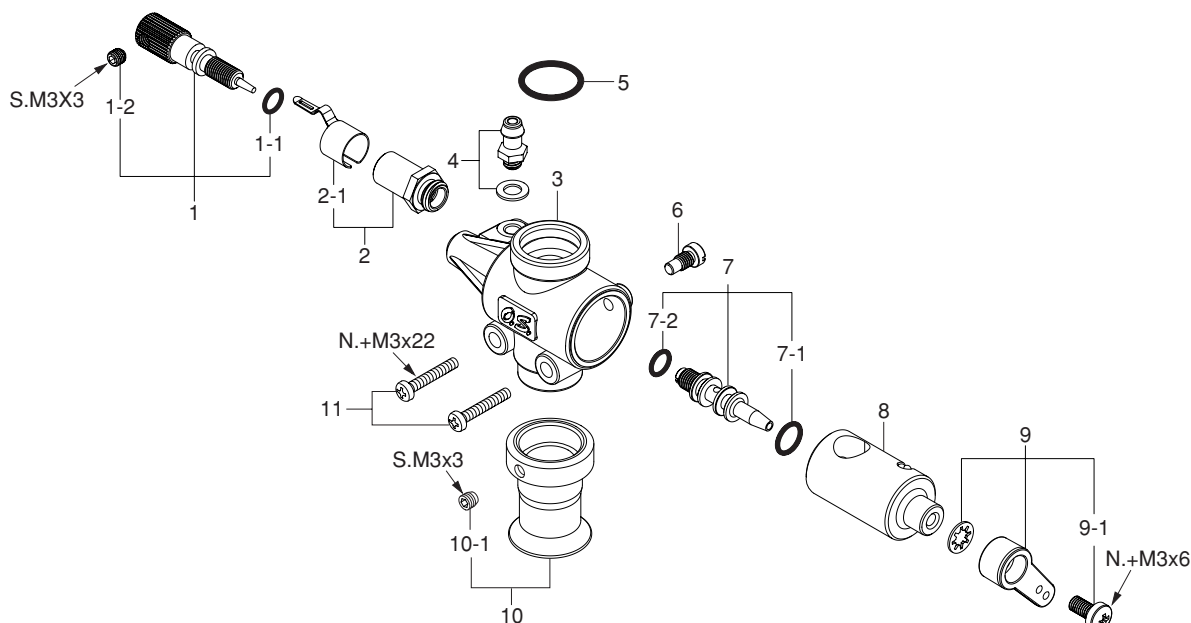
Code No.	Size	Pcs. used in an engine
79871020	M2.6x7	Cam Cover Retaining Screw (2pcs.)
79871030	M2.6x10	Rocker Cover Retaining Screw (2pcs.) Intake Manifold Retaining Screw (2pcs.)
79871110	M3x8	Cover Plate Retaining Screw (4pcs.)
79871120	M3x10	Rocker Support Retaining Screw (1pc.)
79871200	M3x20	Cylinder Head Retaining Screw (5pcs.)

\* Type of screw

C...Cap Screw M...Oval Fillister-Head Screw  
 F...Flat Head Screw N...Round Head Screw S...Set Screw

No.	Code No.	Description
1	44904200	Rocker Cover
2	45761600	Rocker Arm Retainer (2pcs.)
3	44961400	Rocker Support (1pc.)
4	45561110	Rocker Arm (1pc.)
5	45061202	Tappet Adjusting Screw (1pair)
6	45560410	Split Cotter (2pcs.)
7	45560310	Valve Spring Retainer (1pc.)
8	45560210	Valve Spring (1pc.)
9	45560220	Valve Spring (1pc.)
10	45560130	Intake Valve (1pc.)
11	45560140	Exhaust Valve (1pc.)
12	44904100	Cylinder Head (W/Gasket)
12-1	44901460	Cylinder Head Gasket (1pc.)
13	44969400	Intake Manifold (1pc.)
14	44981000	Carburetor Complete (Type 60Y)
15	44903400	Piston Ring
16	44903200	Piston
17	44906000	Piston Pin
18	27917000	Piston Pin Retainer(2pcs.)
19	44805000	Connecting Rod
20	44903100	Cylinder Liner
21	44907000	Cover Plate
21-1	29061410	Cover Gasket
22	44902000	Crankshaft
23	45630000	Crankshaft Ball Bearing (Rear)
24	44901000	Crankcase
25	45231100	Camshaft Ball Bearing (1pc.)
26	44962000	Camshaft
27	44514110	"O" Ring

No.	Code No.	Description
28	44901100	Cam Cover
29	44966000	Push Rod (2pcs.)
30	44966100	Push Rod Cover (1pc.)
31	45566310	Push Rod Cover "O" Ring (2pcs.)
32	44564000	Cam Follower (2pcs.)
33	26731010	Crankshaft Ball Bearing (Front)
34	46120000	Thrust Washer
35	44908000	Drive Hub (W/woodruff key)
35-1	29008219	Woodruff Key
36	45910100	Lock Nut Set
37	44925000	F-5040 Silencer Assembly
37-1	44925100	Silencer Body
37-2	44925300	Assembly Screw
37-3	44925310	Silencer Gasket (1pc.)
37-4	22681957	Pressure Nipple (No.7)
37-5	44926000	Exhaust Header Pipe Assembly
37-6	45526400	Exhaust Header Pipe Nut M12 (1pc.)
	72200080	Needle Valve Extension Cable Set
	71615009	Glow Plug Type F



\* Type of screw

C...Cap Screw M...Oval Fillister-Head Screw

F...Flat Head Screw N...Round Head Screw S...Set Screw

### O.S. GENUINE PARTS & ACCESSORIES

No.	Code No.	Description
1	24081970	Needle Assembly
1-1	24981837	"O" Ring (2pcs.)
1-2	26381501	Set Screw
2	27381940	Needle Valve Holder Assembly
2-1	26711305	Ratchet Spring
3	44981100	Carburetor Body
4	22681953	Fuel Inlet (No.1)
5	46115000	Carburetor Rubber Gasket (1pc.)
6	45581820	Rotor Guide Screw
7	45582300	Mixture Control Valve Assembly
7-1	46066319	"O" Ring (L) (2pcs.)
7-2	24881824	"O" Ring (S) (2pcs.)
8	44981200	Carburetor Rotor
9	27881400	Throttle Lever Assembly
9-1	22081313	Throttle Lever Retaining Screw
10	44881300	Air Funnel
10-1	26381501	Set Screw
11	45581700	Carburetor Retaining Screw (2pcs.)

Code No.	Description
71901100	Radial Motor Mount
72200130	O.S. Booster Terminal Kit
45910200	5/16"-M4 Propeller Locknut Set For Spinner
45910300	5/16"-M5 Propeller Locknut Set For Spinner
71531000	Non-Bubble Weight
71531010	Non-Bubble Weight (S)
72403050	Super Filter (L)
72200060	Valve Adjusting Tool Kit
71521000	Long Socket Wrench With Plug Grip