

### CAP SCREW SETS (10pcs./sets)

Code No.	Size	Pcs. used in an engine
79871020	M2.6x7	Cam Cover Retaining Screw (2pcs.) Intake Manifold Retaining Screw (2pcs.)
79871030	M2.6x10	Rocker Cover Retaining Screw (2pcs.)
79871110	M3x8	Cover Plate Retaining Screw (4pcs.)
79871150	M3x15	Rocker Support Retaining Screw (1pc.)
79871200	M3x20	Cylinder Head Retaining Screw (5pcs.)

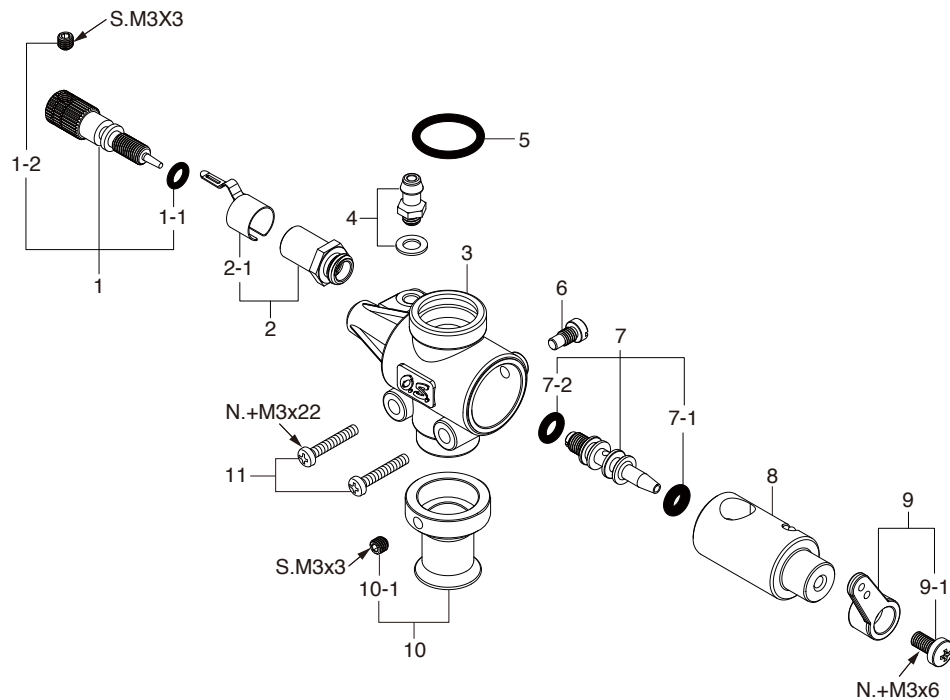
\* Type of screw

C...Cap Screw M...Oval Fillister-Head Screw

F...Flat Head Screw N...Round Head Screw S...Set Screw

No.	Code No.	Description
1	44304200	Rocker Cover
2	45761600	Rocker Arm Retainer (2pcs.)
3	45961410	Rocker Support (1pc.)
4	44861000	Rocker Arm (1pc.)
5	45061202	Tappet Adjusting Screw (1pair)
6	45960400	Split Cotter (2pcs.)
7	45960310	Valve Spring Retainer (1pc.)
8	45960210	Valve Spring (1pc.)
9	44750100	Intake Valve (1pc.)
10	44751100	Exhaust Valve (1pc.)
11	44304100	Cylinder Head (W/Gasket)
11-1	44714100	Cylinder Head Gasket (1pc.)
12	44369400	Intake Manifold (1pc.)
13	44381000	Carburetor Complete (Type 61N)
14	44303400	Piston Ring
15	44303200	Piston
16	44306000	Piston Pin
17	44305000	Connecting Rod
18	44303100	Cylinder Liner
19	44307000	Cover Plate
20	44302000	Crankshaft
21	44230000	Crankshaft Ball Bearing (Rear)
22	44301000	Crankcase
23	45231100	Camshaft Ball Bearing (1pc.)
24	44362000	Camshaft
25	44301100	Cam Cover
26	44366000	Push Rod (2pcs.)
27	44366100	Push Rod Cover (1pc.)
28	27881840	Push Rod Cover "O" Ring (2pcs.)

No.	Code No.	Description
29	45664000	Cam Follower (2pcs.)
30	26531005	Crankshaft Ball Bearing (Front)
31	44308000	Drive Hub (W/woodruff key)
31-1	27708200	Woodruff Key
32	45810100	Lock Nut Set
33	44825000	F-5030 Silencer Assembly
33-1	44825100	Silencer Body
33-2	44825400	Assembly Screw
33-3	44625410	Silencer Gasket (1pc.)
33-4	22681957	Pressure Nipple (No.7)
33-5	44825200	Exhaust Header Pipe Assembly
33-6	45626030	Exhaust Header Pipe Nut M11 (1pc.)
	71615009	Glow Plug Type F



\*Type of screw

C...Cap Screw M...Oval Fillister-Head Screw

F...Flat Head Screw N...Round Head Screw S...Set Screw

### O.S. GENUINE PARTS & ACCESSORIES

No.	Code No.	Description
1	44881970	Needle Assembly
1-1	24981837	"O" Ring (2pcs.)
1-2	26381501	Set Screw
2	27381940	Needle Valve Holder Assembly
2-1	26711305	Ratchet Spring
3	44381100	Carburetor Body
4	22681953	Fuel Inlet (No.1)
5	46115000	Carburetor Rubber Gasket (1pc.)
6	45581820	Rotor Guide Screw
7	45582300	Mixture Control Valve Assembly
7-1	46066319	"O" Ring (L) (2pcs.)
7-2	24881824	"O" Ring (S) (2pcs.)
8	44381200	Carburetor Rotor
9	22081408	Throttle Lever Assembly
9-1	22081313	Throttle Lever Retaining Screw
10	44381300	Air Funnel
10-1	26381501	Set Screw
11	45581700	Carburetor Retaining Screw (2pcs.)

Code No.	Description
71905010	Radial Motor Mount
45810200	1/4"-M4 Propeller Locknut Set For Spinner
45810300	1/4"-M5 Propeller Locknut Set For Spinner
72200130	O.S. Booster Terminal Kit
72109680	M11 In-Cowl Header Pipe Side 60D
72109690	M11 In-Cowl Header Pipe Inverted 80D
72200080	Needle Valve Extension Cable Set
72403050	Super Filter (L)
71531000	Non-Bubble Weight
71531010	Non-Bubble Weight (S)
72200060	Valve Adjusting Tool Kit
71521000	Long Socket Wrench With Plug Grip